

PRESSURE REDUCING VALVE



PRODUCTION STANDARDS

DN50 / DN200
PN 16

Design	BS EN 1567, EN1074-5
Connection	BS EN 1092-2, ISO5208
Marking	EN19
Tests	EN12266-1
Corrosion Protection	Electrostatic Powder Epoxy

Features

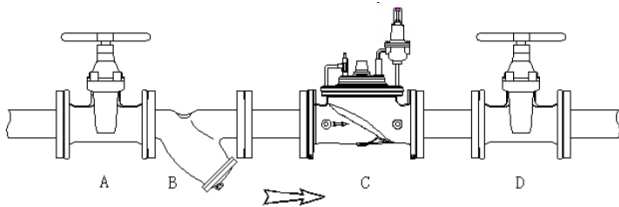
- All iron components are fusion epoxy bonded for corrosion resistance.
- Easy maintenance without removal from the main line.
- Nylon reinforced diaphragm for long term service.
- Drip tight shut off.
- Globe design for superior control characteristics.
- Ductile iron bodies for higher strength and durability.
- Corrosion resistant stainless steel seat and disc retainer ring.
- Various pilots and accessories available for configuration into many different applications.
- Special V-Port and double chamber are options, please consult factory.
- Meet standards BS EN 1074-5, ISO 5208, BS EN 12266-1, BS EN 558-1

Product Description

Pressure Reducing Valve automatically reduces a higher inlet pressure to a steady lower downstream pressure, regardless of changing flow rate and/or varying inlet pressure. The valve is an accurate, pilot-operated regular capable of holding downstream pressure to a re-determined limit. When downstream pressure exceeds the pressure setting of the control pilot, the main valve and pilot valve close drip-tight.

Adjustment

Small globe valve on outlet side is closed on main valve. When pilot valve tappet on the valve is rotated clockwise, adjusting pressure rises and when rotated counterclockwise, adjusting pressure decreases. Small globe valve on outlet side is opened by screwing the lock nut under the adjusting bolt when demanded pressure value is maintained.



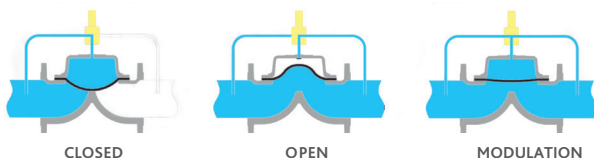
Scope of Application

- Agricultural irrigation
- Supply of water fire extinguishing
- Various applications of industrial systems.
- Oil & gas applications

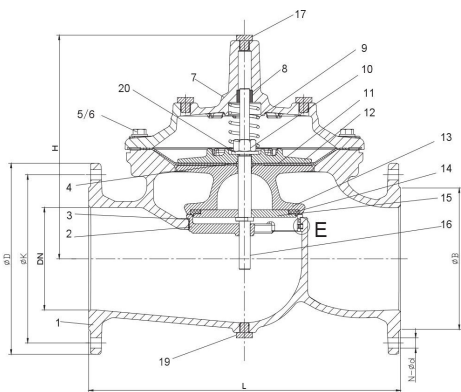
Temperature

- 80 °C

Working Principle



PRESSURE REDUCING VALVE



NO	DESCRIPTION	MATERIALS	STANDARD
1	BODY	Ductile Iron	GJS 500-7
2	SEAT	Stainless Steel	AISI 304/316
3	O-RING	Rubber	NBR
4	O-RING	Rubber	NBR
5	BOLT	Stainless Steel	A2/A4
6	WASHER	Stainless Steel	A2/A4
7	BONNET	Ductile Iron	GJS 500-7
8	BUSH	Bronze	C61900
9	SPRING	Stainless Steel	AISI 304/316
10	CAULKING NUT	Stainless Steel	A4
11	DIAPHRAGM	Nylon Reinforced Rubber	EPDM + Nylon Fabric
12	FIXING HOLDER	Ductile Iron	GJS 500-7
13	DISC HOLDER	Ductile Iron	GJS 500-7
14	SEAL	Rubber	EPDM
15	SEAT RETAINER	Stainless Steel	AISI 304/316
16	STEM	Stainless Steel	AISI 304/316
17	PLUG	Stainless Steel	AISI 304/316
18	SCREW	Stainless Steel	A2/A4
19	PLUG	Stainless Steel	A2/A4
20	WASHER	Stainless Steel	A2/A4

DN (mm)	L	ØD	ØK	H	N-Ød	ØB
50	230	165	125	177	4-Ø19	Ø99
65	290	185	145	202	4-Ø19	Ø118
80	310	200	160	219	8-Ø19	Ø132
100	350	220	180	243	8-Ø19	Ø156
125	400	250	210	243	8-Ø19	Ø156
150	480	285	240	333	8-Ø23	Ø211
200	600	340	295	428	12-Ø28	Ø266